

d:Rio VOI

USER MANUAL AND GUIDE

Smart multifunctional shoe dryer **VOI** and **VOI 2**

With this device, you quickly dry shoes, boots, socks, gloves, helmets and more. It will also help you in the daily struggle with unpleasant odors from shoes.

Dryer d: Rio VOI not only dries, but also sterilizes with ozone disinfection, thanks to which up to 99% of bacteria will disappear, thereby ridding you of the same percentage of odors.

1. SAFETY PRECAUTIONS

Thank you for purchasing our VOI shoe dryer. Please read the user manual carefully before using the device. d:Rio VOI dryer can be used to disinfect, deodorize and dry shoes and other sports equipment (e.g. gloves, socks, helmet...).

Enjoy a sporting experience with clean and sterilized equipment.

WARNING:

1.1 This product uses ozone to sterilize and deodorize shoes and more sports equipment.

Ozone is a colorless gas with a typically pungent odor. For safety reasons the product always use only in a well-ventilated room and keep a sufficient distance.

You can smell ozone in a nearby thunderstorm. It is formed naturally from diatomic oxygen, via electric discharge or ultraviolet radiation.

Ozone is a strong oxidant and has many industrial and consumer related applications with oxidation. It is used to remove odor in the air, treat water, disinfection of kitchen tools, disinfection of industrial waste and also as bleach. Water can also be treated with ozone disinfection instead of chlorine. Ozone removes odors from the air and kills bacteria on surfaces that may be infected with them. It is excellent for pool and spa treatments. Ozone is also used to disinfect fresh fruit and vegetables, where it safely eliminates fungi and bacteria. The ozone layer is part of the stratosphere. It is beneficial and eliminates harmful ultraviolet rays radiation falling on the earth's surface. This high oxidation potential of ozone can also sometimes cause damage to mucous membranes and respiratory tissue. For this reason, use d:Rio VOI for good in a ventilated place or outdoors.

Ozone can be harmful to your health if you breathe it for a long time. Maintain a safe distance while the dryer is in disinfecting mode.

- 1.2 This device is intended for use on wet/damp equipment, but make sure to remove excess water from very damp clothes to prevent water from dripping or leaking into the device. Squeeze out the excess water in advance or leave it drain. The device must also not be immersed in water or placed in standing water.
- 1.3 **Always keep the VOI in the correct position (vertical position) during operation.**
- 1.4 **Do not use the device if it appears damaged.** In event of dried malfunction contact the supplier or authorized service. If the device is dropped or is damaged in any way, stop using the device and send it without delay to the supplier or to an authorized service center for examination, repair or possible replacement.
- 1.5 **Do not use if the power cord or plug is damaged.** If the power cord appears damaged, it must be replaced by an authorized service center in order to avoid damage to the device and risk of injury.
- 1.6 For safety and proper operation, place and use the dryer in a well ventilated place or open area and stay away from it when the disinfection process (STZ) is in progress. **Remaining in closed spaces with high ozone concentration can be harmful.**
- 1.7 Do not immerse the device, cable, plug in water. Do not place the cable and the device from hot surface.
- 1.8 This appliance is not intended for use by children. **Store and use this device out of reach of children.**
- 1.9 **Do not disassemble or repair the device yourself.** Unprofessional repairs can result in bodily harm, fire or other damage to the device or property. Only an authorized service technician can carry out all repairs. Removal any parts or attempt to repair the device will void the warranty.

2. FUNCTIONS

- 2.1 **Sterilization and deodorization** – effectively eliminates bacteria and the fungi that are cause of foot odor and fungus.
- 2.2 Effectively dries shoes, gloves, helmets, socks, etc., which greatly contributes your health protection and comfort.
- 2.3 The drying temperature reaches up to **70°C**, so it is suitable for drying even in very cold conditions.
- 2.4 **Easily adjustable**, adjustable for different types of material. The device is very stable and produces a safe amount of ozone for safety sterilization effect. Ozone eliminates odors in shoes.
- 2.5 **Automatic start/stop** (with optional manual start/stop control)
- 2.6 **Safety thermal fuse to prevent overheating.**
- 2.7 **Very quiet operation** (< 35 dB noise level).
- 2.8 Inbuilt surfaces for dripping water (part of the device).

Possible other uses:

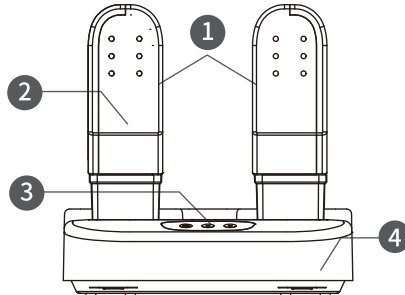
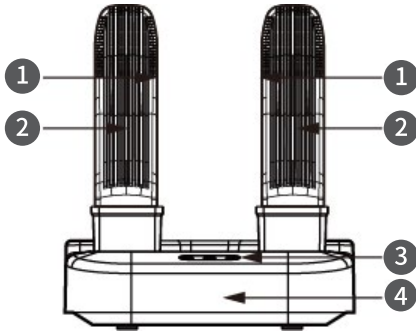
The d:Rio VOI can also be used as an air purifier! It is possible to disinfect and deodorize, for example, a house, rooms with mold, a smoking room, cars, etc. When used correctly, VOI will bring you a fantastic drying, sterilization and deodorizing effect.

3. DEVICE DESCRIPTION

d:Rio VOI

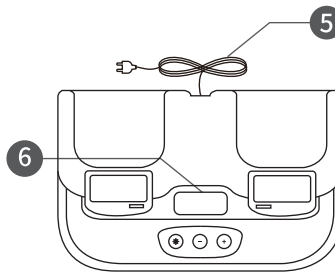
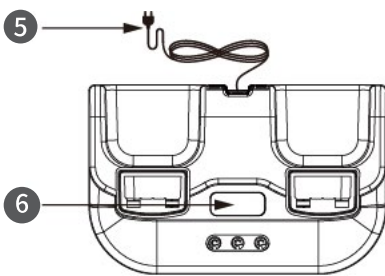
d:Rio VOI 2

Front view:



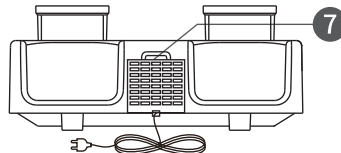
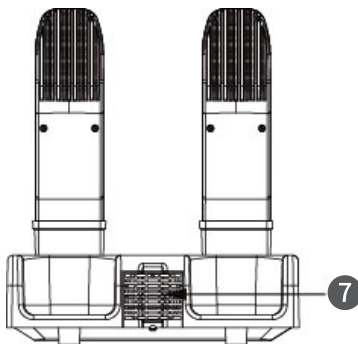
- ① infrared sensors (automatic start)
- ② attachments to dry shoes, gloves, socks, etc.
- ③ display and buttons
- ④ base

bottom view:



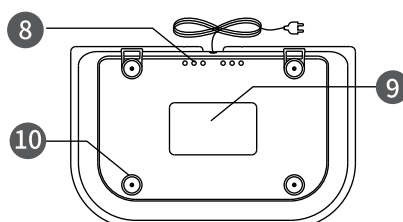
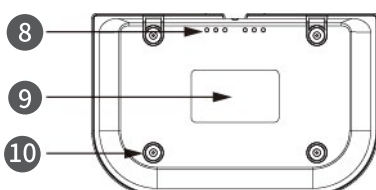
- ⑤ power cord and plug
- ⑥ display

Rear view:



- ⑦ air inlet grille

Bottom view:



- ⑧ drainage and ventilation holes
- ⑨ information sticker
- ⑩ anti-slip pads

4. PACKAGE CONTENTS AND UNPACKING

4.1 Package contents:

d:Rio VOI

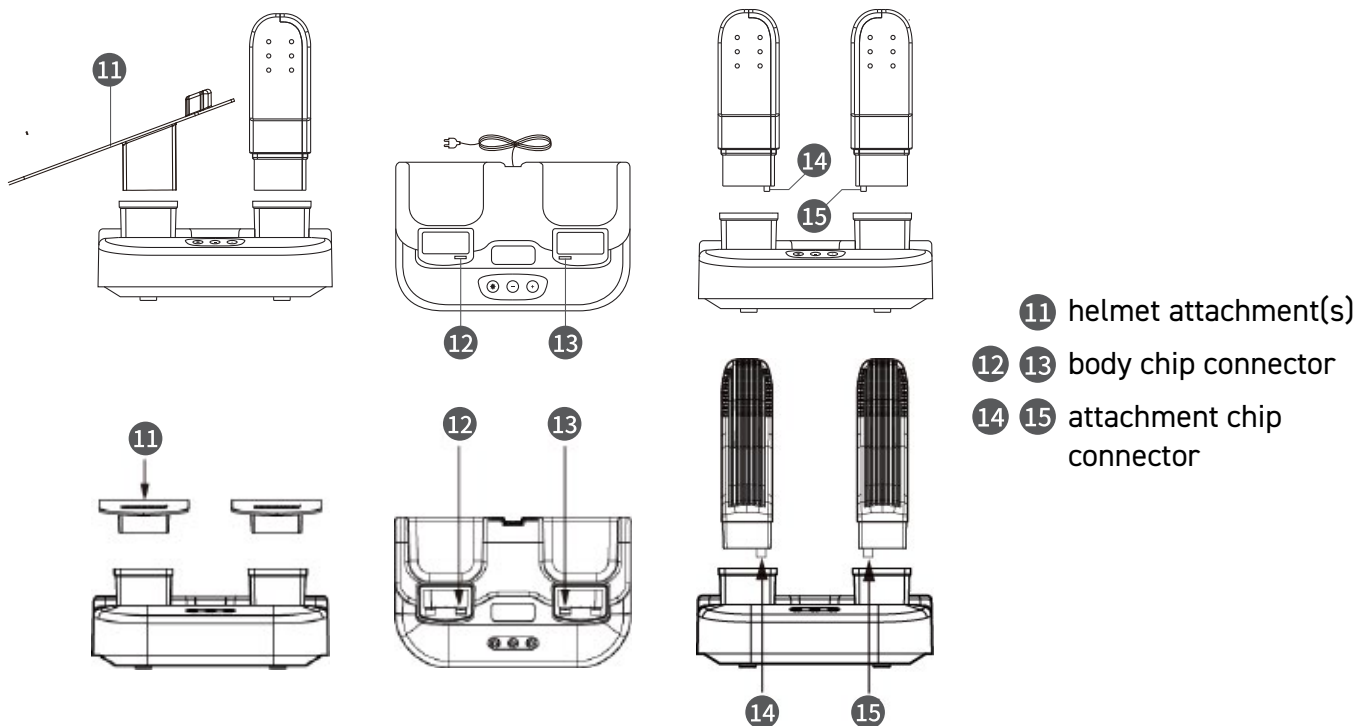
- 1pc base unit
- 2pcs shoe, glove, sock, etc. attachment
- 2pcs flat attachments for helmets, etc.
- 1pc user manual

d:Rio VOI 2

- 1pc base unit
- 2pcs shoe, glove, sock, etc. attachment
- 1pc flat attachment for helmets, etc.
- 1pc user manual

- 4.2** Unpack the device from the box. Remove the base and the attachments.
- 4.3** Release the power cord.
- 4.4** Check if the air intake grille is not obstructed by any leftover piece of packaging or debris. Perform this check every time when using the device.
- 4.5** Check all components for damage to ensure that no damage has occurred during transport.
- 4.6** The base of the device consists of a fan, a PCB unit, an ozone generator, heating element, display, buttons, connection adapter for attachments, air supply (through the air intake grille), drainage holes and power cord with plug.
- 4.7** The attachments include the plastic body with air grille, infrared sensors and connection chips.

5. DEVICE ASSEMBLY



- 5.1 Place the device on a flat, dry and clean surface.
- 5.2 Insert the attachments. Make sure the chip position on the attachment fits the connector in the body. The left and right attachments can not be swapped.
- 5.3 Remove the shoe holders and install the helmet holder if you want to dry the helmet, mask etc.

6.1 AUTOMATIC CONTROL MODE

An infrared sensor is installed in the upper third of each shoe attachment. In most cases, you can start the device in this automatic control mode.

Simply put - put shoes, gloves, socks, etc. on the drying pipe. Make sure, that the shoes or gloves are sufficiently fitted even through the infrared sensors. Once the shoes are placed on the attachment the dryer starts working in the set mode and stops when the set time elapses, or when you remove a dried item from the drying attachment.

Important note: If you wish to start the device with automatic control, check if the object to be dried is placed on the left drying attachment. For the automatic function to start it has to prevent light from reaching the sensor. If this is not the case, the device cannot start automatically. In case the infrared sensor cannot be covered or the dried object does not prevent access of light, the start of the device must be initiated manually.

Flat attachments for drying helmets and similar equipment do not support the automatic control mode and when using them, the drying must be switched on manually.

6.2 MANUAL CONTROL MODE

If you want to

- use ozone disinfection in the home or in a damp or smelly wardrobe
- sterilize a dry small object such as baby socks that cannot be cover infrared sensor
- use flat attachments for drying helmets
- or if automatic drying has not started

Just press and hold the + and - buttons together. Press them to stop the program together again and the device turns off.

7. SETTINGS


You can preset the VOI before starting it automatically or manually.

You can also set it while it's running.

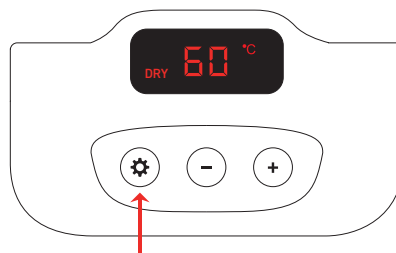
It is possible to set the sterilization time, drying time and drying temperature.

The standby light comes on when the device is plugged in.
 The standby light and fan will turn off after 10 seconds after the operation is finished.
 If the device is plugged in it will automatically start if there is one infrared sensor covered.


7.1 Sterilization, time and temperature settings

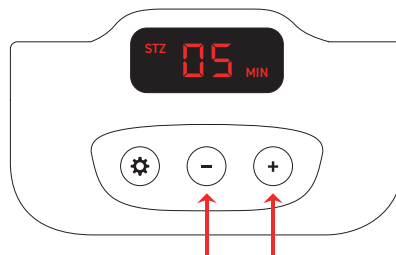
Firmly press the Settings button  (the button on the left of the base) once and on you will see one of the following three values on the display (STZ = sterilization time, °C = temperature, DRY = drying time).

These value will display with every press of the settings button (just press and release - don't hold).




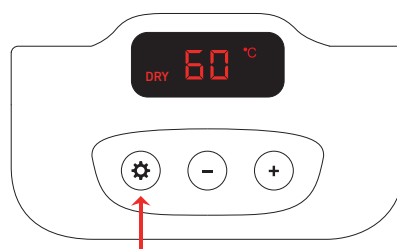
7.1.1 Setting sterilization (STZ) time

Press the settings button  to display set value for sterilization (STZ) duration. Then use the buttons **+** and **-** to increase or lower time of sterilization. Minimum time you can set is 0 (sterilization will be turned off and the device operates in drying-only mode) and maximum time is 15 minutes. The newly set value will be saved automatically.




7.1.2 Setting the drying temperature

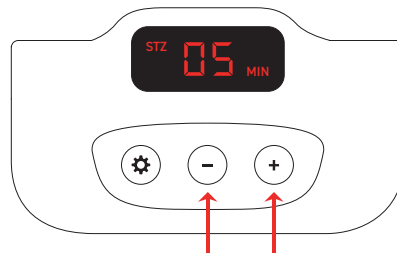
Press the settings button  twice to display the current drying temperature in °C. Then use the buttons **+** and **-** to increase or lower the drying temperature. Minimum temperature you can set is 40 °C and maximum is 70 °C. The newly set value will be saved automatically.



ATTENTION: The drying temperature ranges from **40°C to 70°C**. It is recommended to set lower drying temperature when drying leather shoes or other leather products. **High drying temperatures can damage leather and other special fabrics** that cannot withstand it high drying temperature. Please also pay attention to the used drying temperature if you are drying delicate or special products. Do not set the temperature higher than the recommended drying temperature for the specific clothing or equipment.


7.1.3 Setting the drying time

Press the settings button  three times to display set value for drying duration. Then use the buttons **+** and **-** to increase or lower time of drying. Minimum time you can set is 0 (drying will be turned off and the device operates in sterilization-only mode) and maximum time is 99 minutes. The newly set value will be saved automatically.



TIP – You can also use the **+** and **-** buttons to adjust the time directly during operation of the device but this change will only apply to that use and will not be saved.

DEFAULT SETTINGS
STERILIZATION (STZ) 5 minutes
DRYING TEMPERATURE (DRY °C) 60°C
DRYING DURATION (DRY MIN) 20 minutes

To return to default settings make sure the drier is plugged in but not running. Hold the settings button  until the display starts flashing.

8. USE WITH FLAT ATTACHMENTS FOR HELMETS

- 8.1 Unplug the drier and remove the shoe drying attachments.
- 8.2 Insert the flat helmet attachment(s)
- 8.3 Plug the drier back in use it in the manual control mode.

Rated voltage: max 300W - 220-240V 50/60Hz
 Manufacturer: SEFIS moto s.r.o. Spojovací 182/11 Praha 9 190 00



SEFIS moto s.r.o.
 Spojovací 182/11, Vysočany,
 190 00 Praha 9, Czech Republic
sefismoto.cz / [/sk](http://sk) / [/com](http://com) / [/de](http://de)
 made in PRC